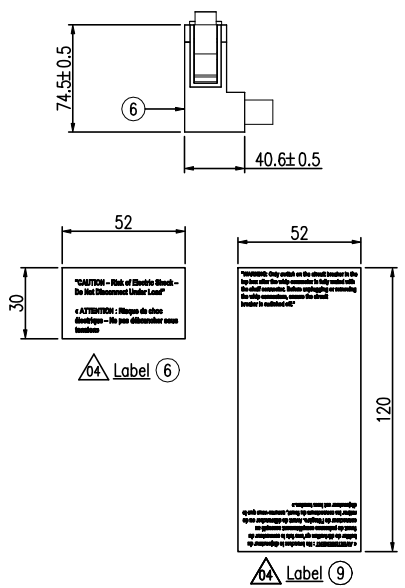
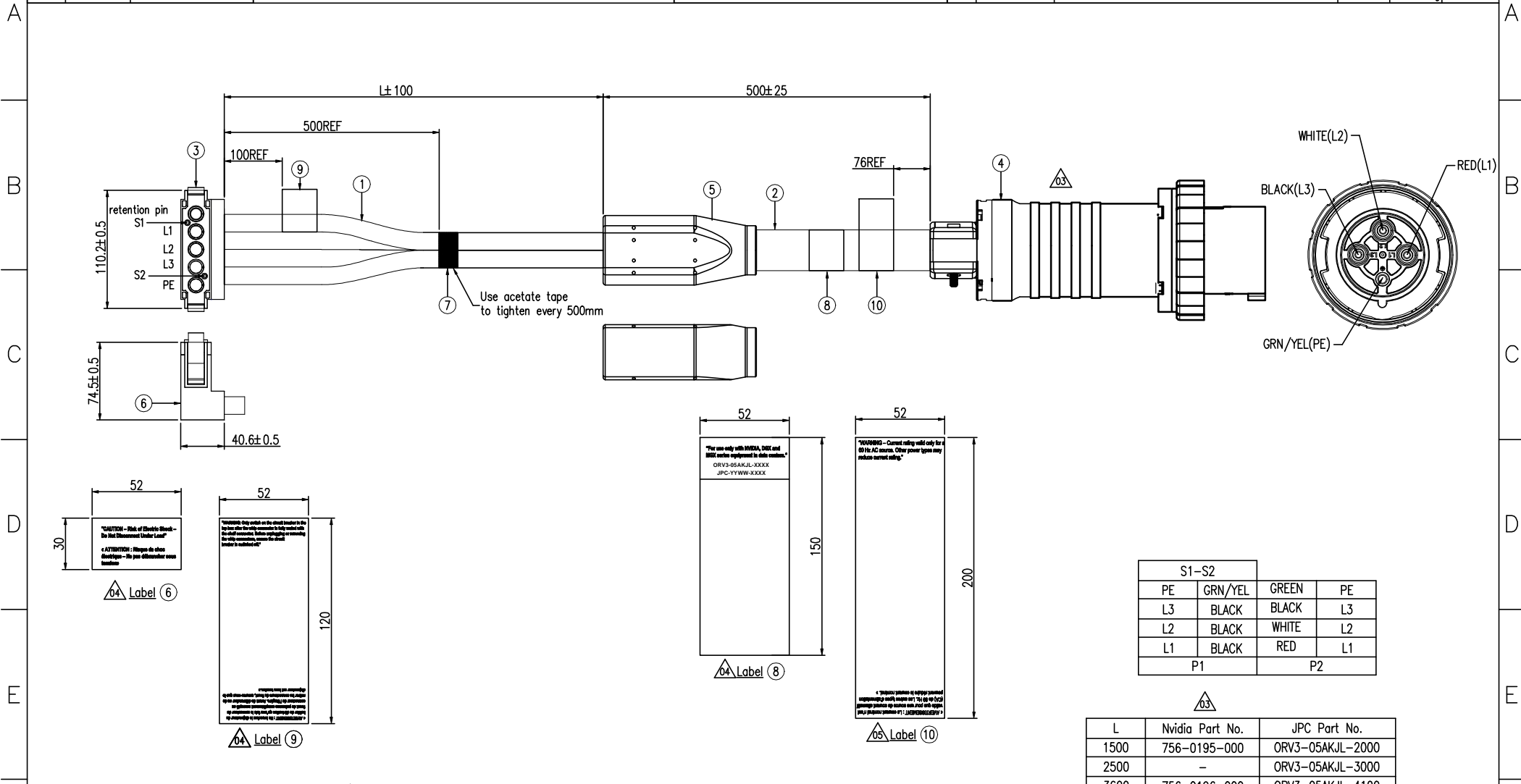


1	2	3	4	5	6	7	8				
THIS DRAWING AND THE DATA DISCLOSED HEREIN OR HEREWITH IS NOT TO BE REPRODUCED USED OR DISCLOSED IN WHOLE OR IN PART TO ANYONE WITHOUT THE PERMISSION OF JESS-LINK PRODUCTS CO.,LTD.(JPC)				CUSTOMER DRAWING DRWC-XXXXXX		REV.	ECN NO.	DESCRIPTION	MDF'D	APP'D	DATE
						03		UPDATE IEC60309 CONN SCHEMATIC & CABLE DESCRIPTION	Bovan Lu	Max Yang	03/30/2026
						04		Add label content	Bovan Lu	Max Yang	05/12/2026
						05		Add label content	Bovan Lu	Max Yang	05/22/2026



S1-S2			
PE	GRN/YEL	GREEN	PE
L3	BLACK	BLACK	L3
L2	BLACK	WHITE	L2
L1	BLACK	RED	L1
P1		P2	

L	Nvidia Part No.	JPC Part No.
1500	756-0195-000	ORV3-05AKJL-2000
2500	-	ORV3-05AKJL-3000
3600	756-0196-000	ORV3-05AKJL-4100

ITEM	SUPL	SUPL PN	DESCRIPTION	Q'TY
10	-	-	LABEL ⁰³	1 PCS
9	-	-	LABEL	1 PCS
8	-	-	LABEL	1 PCS
7	-	-	ACETATE TAPE, W=30mm, BLACK	A/R
6	-	-	LABEL	2 PCS
5	-	-	JUNCTION BOX MOLDING	1 PCS
4	-	-	IEC60309 PLUG, 100AMP, 240/415V, 3P4W, IP67, 6H COLOR CODE RED ⁰²	1 PCS
3	-	-	100AMP CONNECTOR	1 PCS
2	-	-	CABLE, UL 1650 TYPE W, 2#*4C, 90°C ⁰³	1 PCS
1	-	-	CABLE, UL 2137, 1#*1C, 150°C, Silicone Rubber ⁰³	4 PCS

RoHS COMPLIANT HALOGEN FREE	Unit:mm(inch)	PROJECTION	JPC connectivity	
	GENERAL TOLERANCES: (UNLESS SPECIFIED)	D.R. 01/12/2026		TITLE
	0 = ±1 (0.039)	Bovan Lu		100AMP AC WHIP OVERMOLDED CABLE(RIGHT ANGLE)
	0.0 = ±5 (0.02)	CH.K 01/12/2026		TO AMPHENOL 3P4W 6H
0.00 = ±3 (0.012)	Daniel Chen	SCALE	SIZE	
0.000 = ±.15(0.006)	APV.D 01/12/2026	1:1	A4	
0 = ± 2'	Max Yang	PART NO.		
0.0 = ± 1'		ORV3-05AKJL-XXXX		
		REV. 05		
		SHEET 1 OF 1		